

Kubota®



KUBOTA ULTRA-COMPACT EXCAVATOR

K

K008-3

Spacious, comfortable, and more productive, yet it fits in the tightest spaces. The K008-3 sets the standard for all ultra-compact excavators.



Kubota raises the bar again with the spacious K008-3 ultra-compact excavator.

For sheer productivity, no other ultra-compact excavator measures up to the K008-3. By upgrading it in the essential areas of performance, durability, serviceability, and comfort, the spacious K008-3 outperforms the competitors in a wide range of construction and building work.

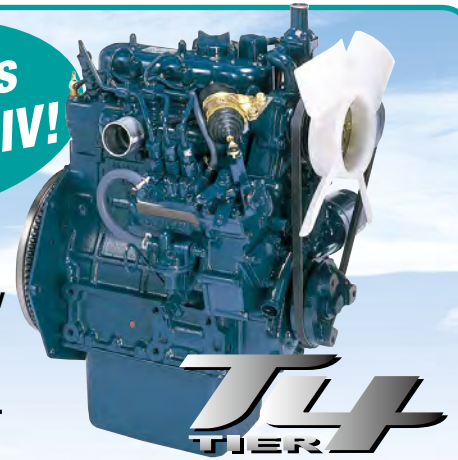


K008-3

Clean-running Kubota Engine

Complies with Tier IV!

Powerful and dependable, the K008-3's diesel engine delivers superior horsepower and performance. It offers low noise and vibration levels, exceptional fuel efficiency, and complies with the EPA's 2013 Tier IV emissions regulations.



TPSS

TPSS is standard equipment, allowing the operator to select the most familiar operating control pattern, either ISO or SAE.



Handy toolbox

To help you perform basic maintenance, the K008-3 comes complete with a toolbox conveniently located under the operator's seat.



Straight wall trenching

Equipped with a swing angle of up to 60 degrees, the K008-3 lets you dig a straight trench along any wall.

Coolant temperature gauge

The new coolant temperature gauge helps prevent the engine from overheating by keeping you informed. Located close to the control levers, a warning lamp lights up when the coolant temperature rises to 115 degrees, and turns off when it falls to 108 degrees or below.

Protected bucket hoses

By running inside the dipper arm, the bucket hoses are also well protected from damage.

Foldable ROPS

Rollover Protective Structure provides you with an extra measure of safety. It folds down to make easier transporting and storage of the excavator.



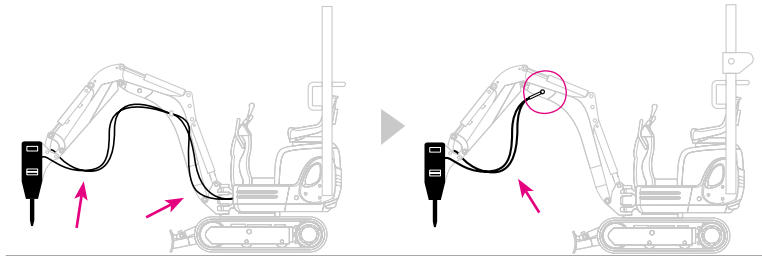
Improved hose and boom cylinder protection

All the hydraulic hoses hidden with in the boom and dipper arm. With the boom mounted on top of the boom, the K008-3 increases service life by offering outstanding protection from damage.

With increased space in the operator's area, you'll get the job done faster and in comfort.

Protected auxiliary hoses

By routing its auxiliary hydraulic hoses through the boom, the K008-3 no longer requires lengthy hoses when connecting your implements. Furthermore, a shorter hose length greatly reduces the risk of snagging and causing damage.



K008-3

Two-speed travel

Need to make up time? Step on the K008-3's hi-speed pedal, and you'll maneuver around job sites faster than any other compact excavator in its class.



Two-way lever

Located within easy reach, it lets you switch between control of the blade or the adjustable track width.



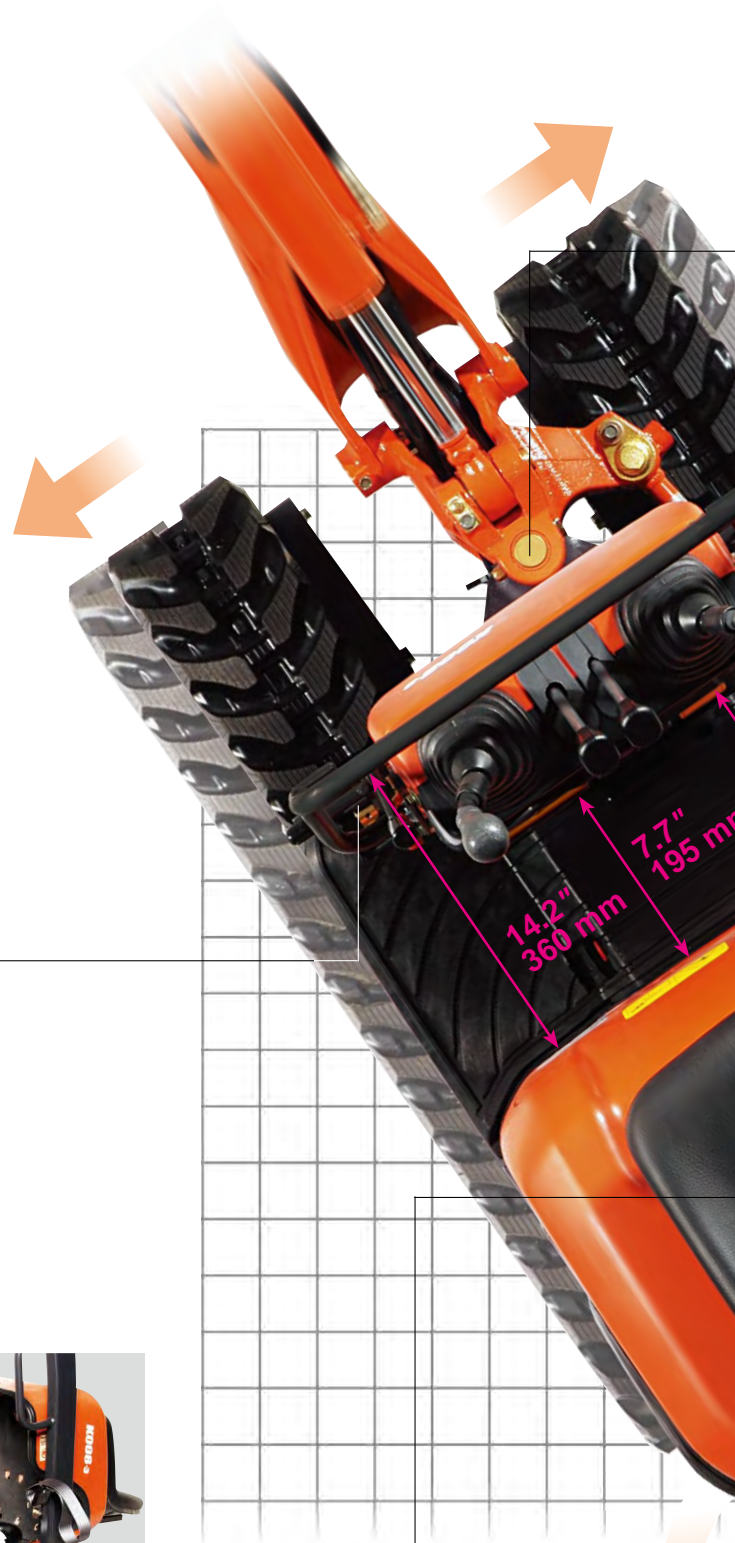
Fast and easy maintenance

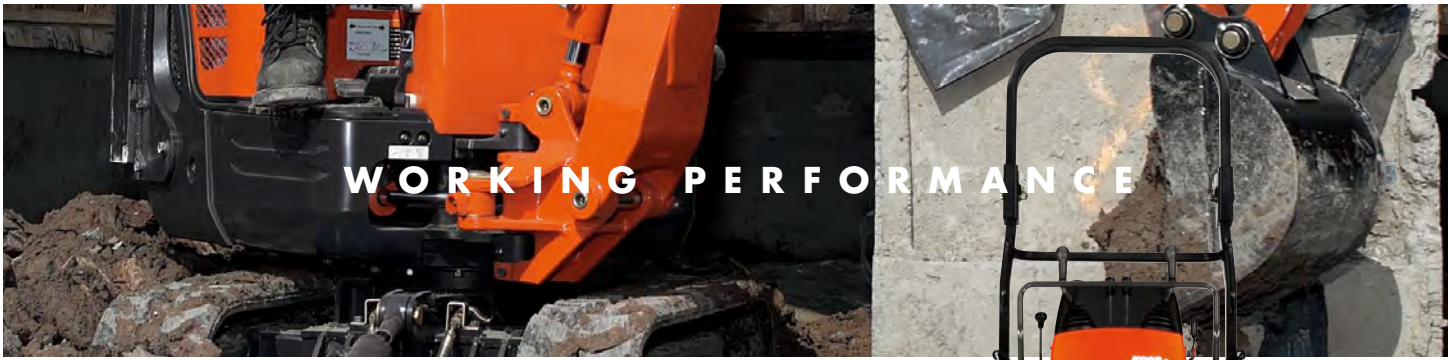
A full-open bonnet and new engine layout makes daily inspection and maintenance of essential components a snap. Both features now provide you with easy access to the radiator, battery, coolant, fuel filter, and dual-element air-cleaner.



Comfortable operator's seat

Well padded and contoured, you'll truly appreciate the comfort of its operator's seat, especially during long days of operation.





Swing bracket pin bushings

To increase life of components, swing bracket pins have bushings.

Spacious operator's area

You'll find it more comfortable behind the operating levers of the K008-3. That's because we've generously increased the space between the operating levers and the operator's seat, and lengthened the floorboards.



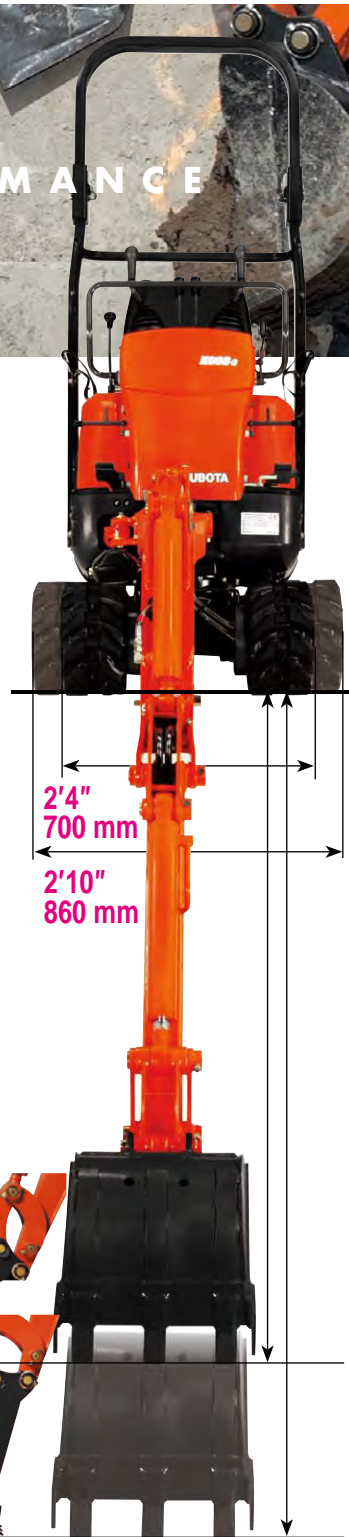
Pedal-operated boom swing

A convenient toe-heel pedal lets you easily operate both the boom swing and upper-house swivel at the same time.



Wider working range

For maximum productivity, its digging/dumping heights, digging depths, and digging radius at ground level have all been increased.



Adjustable width track frame

To enable passage through narrow spaces such as doorways and gates, the adjustable width track frame can reduce the K008-3's track width down to 700 mm by simply operating a single lever. Plus, changing the blade width is as easy as removing one pin by hand.



Reliable Kubota E-TVCS engine

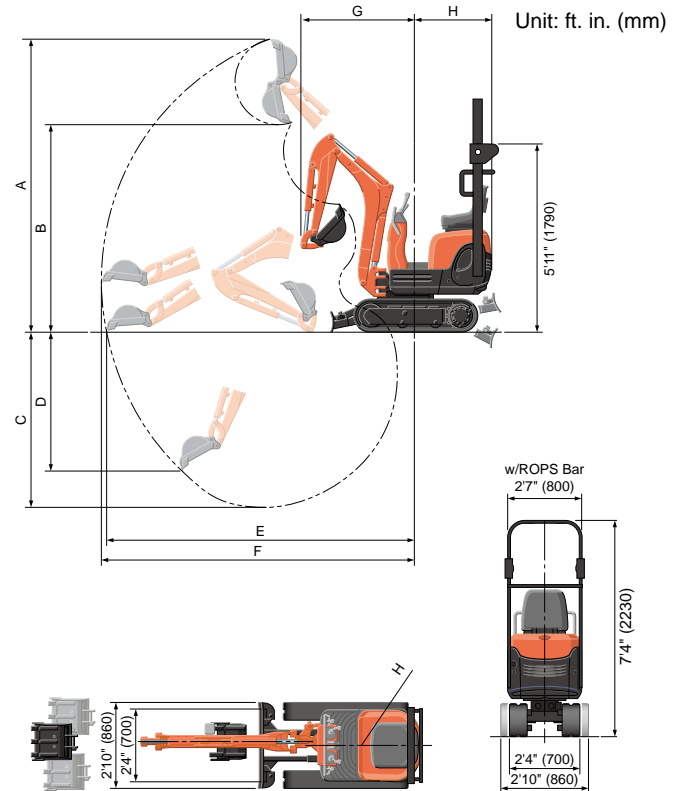
Super dependable and efficient, the combustion created by our engine's unique Three Vortex Combustion System reduces exhaust emission, noise, and vibration.

KUBOTA ULTRA-COMPACT EXCAVATOR

SPECIFICATIONS

Model		K008-3	
Type of tracks		Rubber	
Engine	Model	Kubota D722-E4	
	Output (SAE J1995 gross) HP (kW)/rpm	10.3 (7.7) / 2050	
	Output (SAE J1349 net) HP (kW)/rpm	10.1 (7.5) / 2050	
Dimensions	Displacement cu.in. (cc)	44 (719)	
	Overall length ft.in. (mm)	9'0" (2750)	
	Overall height ft.in. (mm)	7'4" (2230)	
	Overall width ft.in. (mm)	2'10" (860) / 2'4" (700)	
	Min. ground clearance in. (mm)	5.9" (150)	
Hydraulic system	Pump capacity gpm. (l/min)	5.55 (21.0)	
	Auxiliary hydraulic flow gpm. (l/min)	5.55 (21.0)	
	Max. breakout force	Bucket lbs. (kgf)	2200 (1000)
Arm lbs. (kgf)		1010 (460)	
Drive system	Travel speed mph (km/h)	1.2 / 2.5 (2.0 / 4.0)	
	Max. traction force lbs. (kgf)	1695 (770)	
	Tumbler distance ft.in. (mm)	2'11" (900)	
	Crawler length ft.in. (mm)	4'0" (1230)	
	Shoe width in. (mm)	7.1" (180)	
	Ground contact pressure psi (kgf/cm ²)	3.55 (0.25)	
Swing system	Unit swing speed rpm	8.3	
	Boom swing angle	Left degree	55
		Right degree	60
Blade	Dimensions	Width in. (mm)	2'4" / 2'10" (700 / 860)
		Height in. (mm)	7.9" (200)
	Max. lift above ground in. (mm)	7.9" (200)	
Max. drop below ground in. (mm)		7.1" (180)	
Hydraulic oil (reservoir/system) gpm. (l/min)		3.30 / 4.49 (12.5 / 17.0)	
Fuel reservoir gpm. (l/min)		3.17 (12.0)	
Operating weight			
Including operator's weight 175 lbs.		lbs. (kgf)	2200 (1000)

DIMENSIONS



LIFTING CAPACITY

LIFT POINT HEIGHT (ft)	LIFTING CAPACITY OVER-FRONT BLADE DOWN unit=1000 lbs				LIFTING CAPACITY OVER-FRONT BLADE UP unit=1000 lbs				LIFTING CAPACITY OVER-SIDE unit=1000 lbs			
	LIFT POINT RADIUS (ft)				LIFT POINT RADIUS (ft)				LIFT POINT RADIUS (ft)			
	4	6	8		4	6	8		4	6	8	
6	-	0.38	-	-	0.38	-	-	-	0.33	-	-	-
4	-	0.44	0.39	-	0.39	0.24	-	-	0.32	0.20	-	-
2	1.02	0.56	0.40	0.67	0.36	0.23	0.53	0.29	0.19	-	-	-
GL	0	1.04	0.58	0.37	0.61	0.34	0.23	0.48	0.27	0.18	-	-

Machine with ROPS canopy and rubber crawler, without bucket



Hydraulic Hammer
(Optional Attachment)



Foldable ROPS
(Standard Attachment)

WORKING RANGE

A	Max. digging height	ft.in. (mm)	9'5" (2870)
B	Max. dumping height	ft.in. (mm)	6'8" (2035)
C	Max. digging depth	ft.in. (mm)	5'8" (1715)
D	Max. vertical digging depth	ft.in. (mm)	4'6" (1375)
E	Max. digging radius @ ground	ft.in. (mm)	9'11" (3025)
F	Max. digging radius	ft.in. (mm)	10'1" (3075)
G	Min. turning radius	W/o swing	ft.in. (mm) 3'8" (1120)
		With swing	ft.in. (mm) 3'2" (955)
H	Min. tail turning radius	ft.in. (mm)	2'6" (750)

The company reserves the right to change the above specifications without notice. This brochure is for descriptive purpose only. Please contact your local Kubota dealer for warranty information. For your safety, Kubota strongly recommends the use of a Rollover Protective structure (ROPS) and seat belt for almost all applications.

©2012 Kubota Corporation



KUBOTA TRACTOR CORPORATION

Kubota Tractor Corporation, 3401 Del Amo Boulevard, Torrance CA 90503
 Western Division: 1175 S. Guild Ave., Lodi, CA 95240 Tel (209) 334-9910
 Central Division: 14855 FAA Boulevard, Fort Worth, TX 76155 Tel (817) 571-0900
 Northern Division: 6300 at One Kubota Way, Groveport, OH 43125 Tel (614) 835-1100
 Southeast Division: 1025 Northbrook Parkway, Suwanee, GA 30024 Tel (770) 995-8855

Visit our web site at: www.kubota.com

